

APPLICATION

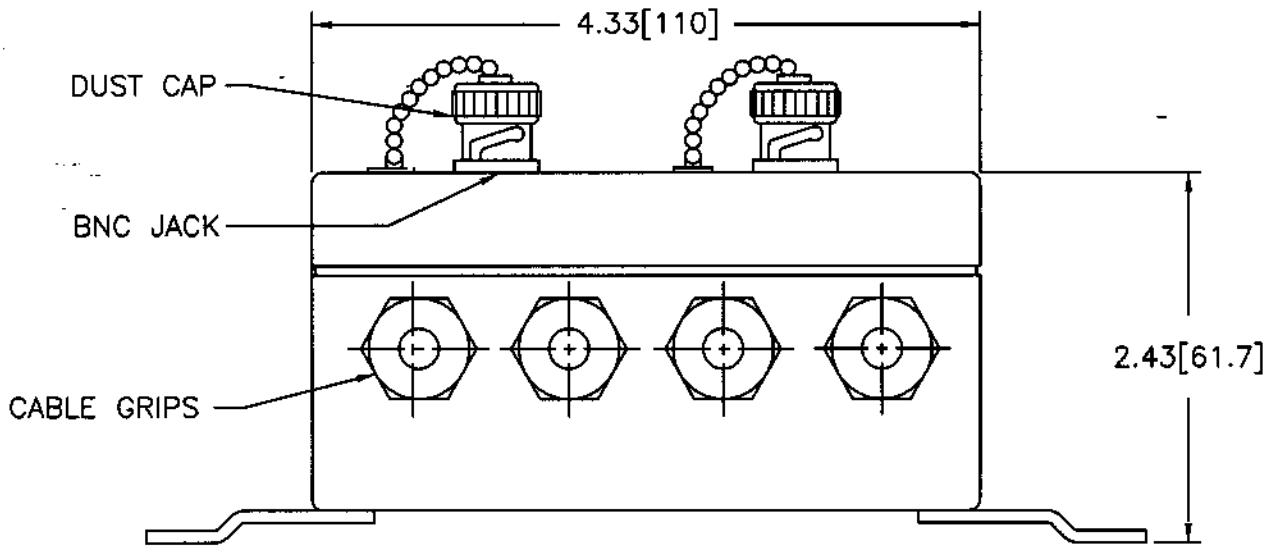
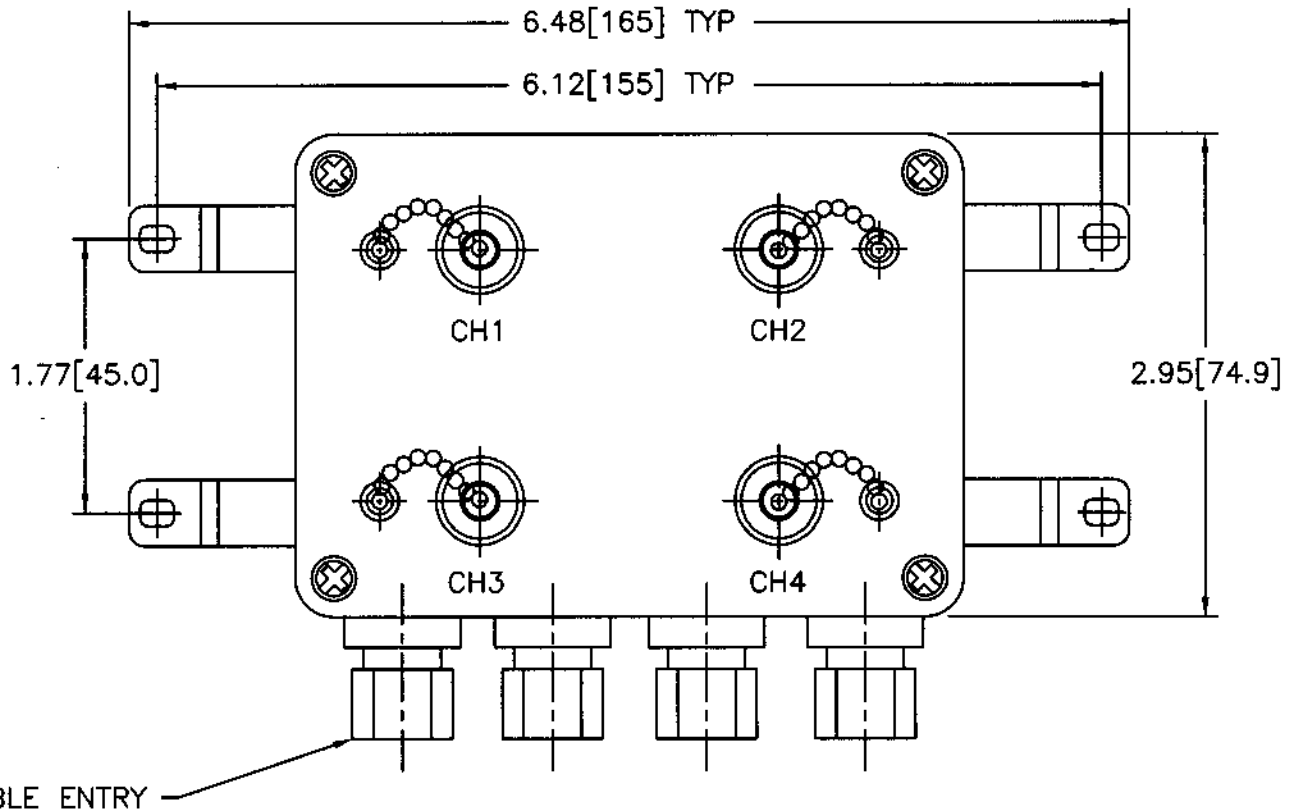
NEXT ASSY	USED ON	VAR

REVISIONS

REV	DESCRIPTION	ECN	DATE	APP'D
B	REVISED PER ECN	22244	5/27/05	<i>[Signature]</i>

8523

PCB Piezotronics Inc. claims proprietary rights in the information disclosed herein. Neither it nor any reproduction thereof will be disclosed to others without written consent of PCB Piezotronics Inc.



UNLESS SPECIFIED TOLERANCES		DRAWN	<i>RCG</i>	6/1/05	MFG	<i>P. D. O.</i>	6/2/05	 3425 WALDEN AVE. DEPEW, NY 14043 (716) 684-0001 EMAIL: SALES@PCB.COM
DIMENSIONS IN INCHES	DIMENSIONS IN MILLIMETERS (IN PARENTHESIS)	CHK'D	<i>DM</i>	6/2/05	ENGR	<i>RCG</i>	6/1/05	
DECIMALS XX ±.01	DECIMALS XX ±0.3	APP'D	<i>UC</i>	6/6/05	SALES	<i>[Signature]</i>	6/1/05	
XXX ±.005	XXX ±0.13	TITLE		OUTLINE DRAWING		CODE IDENT. NO.	DWG. NO.	
ANGLES ±2 DEGREES	ANGLES ±2 DEGREES			MODEL 691A51/04		52681	8523	
FILLETS AND RADII .003 - .005	FILLETS AND RADII (0.07 - 0.13)	DD011 REV. B 03/13/98				4 CHANNEL BREAKOUT ENCLOSURE		SCALE: 0.8
							SHEET 1 OF 1	