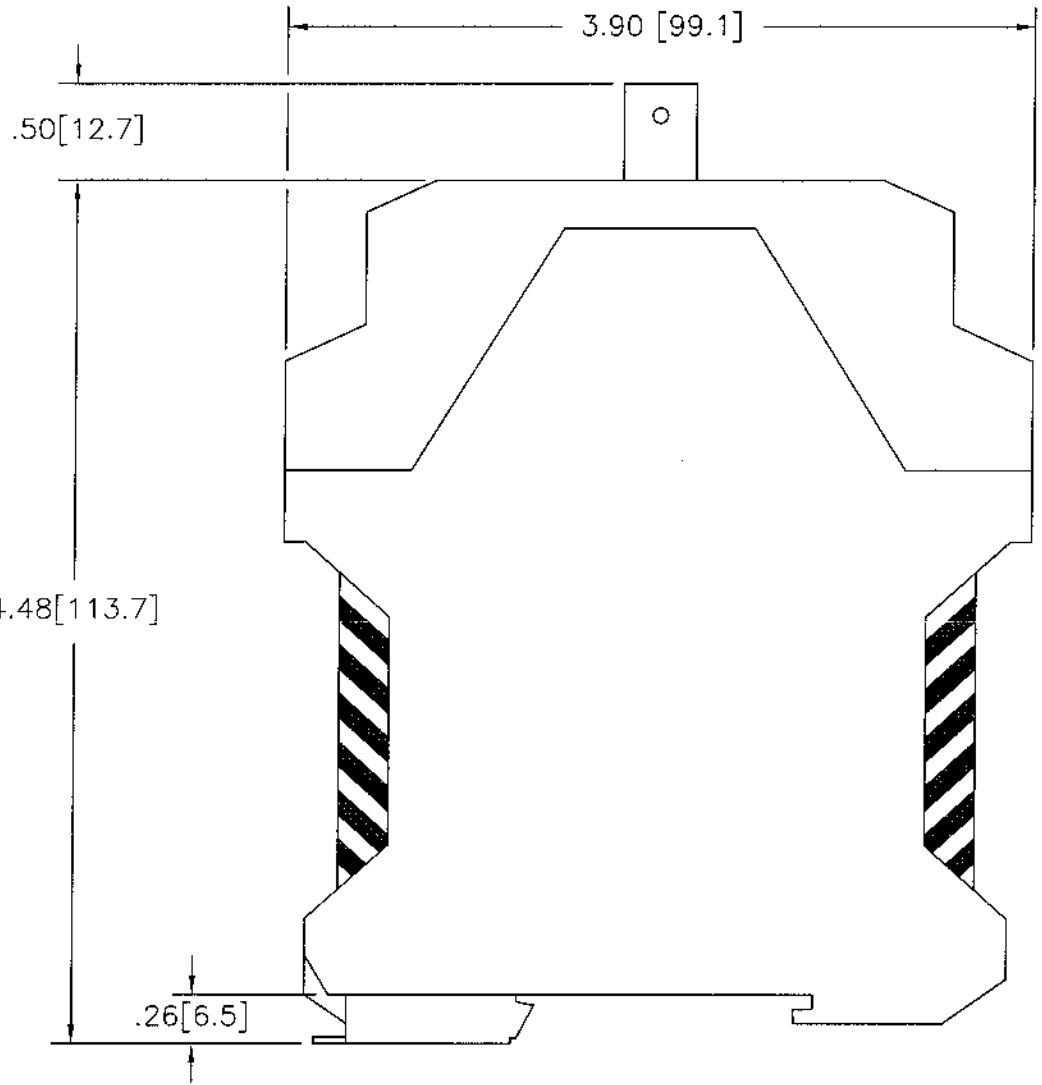
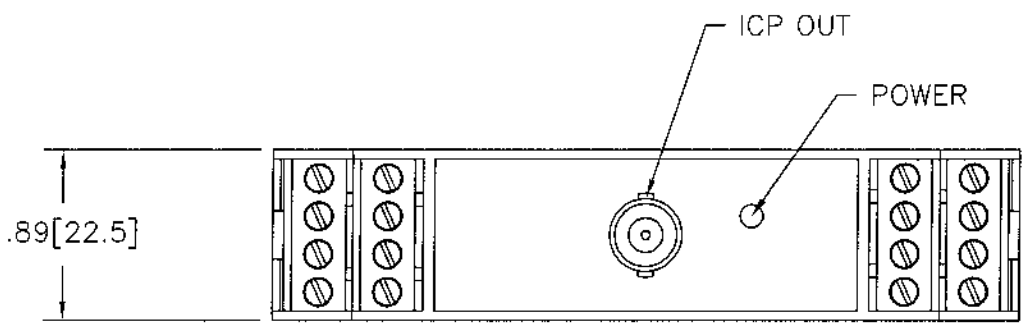


APPLICATION			REVISIONS				
NEXT ASS'Y	USED ON	VAR	REV	DESCRIPTION	ECN	DATE	APP'D
			NR	RELEASED TO DRAFTING		10/28/04	DM10/04
			A	REVISED DRAWING TITLE	23034	11/2/05	EB 11/05

27894

PCB Piezotronics Inc. claims proprietary rights in the information disclosed herein. Neither it nor any reproduction thereof will be disclosed to others without written consent of PCB Piezotronics Inc.



UNLESS SPECIFIED TOLERANCES		DRAWN	MFG	PCB PIEZOTRONICS™	
DIMENSIONS IN INCHES	DIMENSIONS IN MILLIMETERS [IN BRACKETS]	ECB 11/3/05	PCB 11/4/05	3425 WALDEN AVE. DEPEW, NY 14043	
DECIMALS XX ±.03	DECIMALS X ±0.8	CHK'D ECB 11/3/05	ENGR MJC 11/2/05	(716) 684-0001 EMAIL: SALES@PCB.COM	
XXX ±.010	XX ±0.25	APP'D N.A. 11/4/05	SALES EBT 11/3/05	CODE	DWG. NO.
ANGLES ±2 DEGREES	ANGLES ±2 DEGREES	TITLE		52681	27894
FILLETS AND RADII .003 - .005	FILLETS AND RADII [0.07 - 0.13]	OUTLINE DRAWING BEARING FAULT DETECTOR		SCALE: FULL SHEET 1 OF 1	
DD011 REV. C 01/21/03					