

2

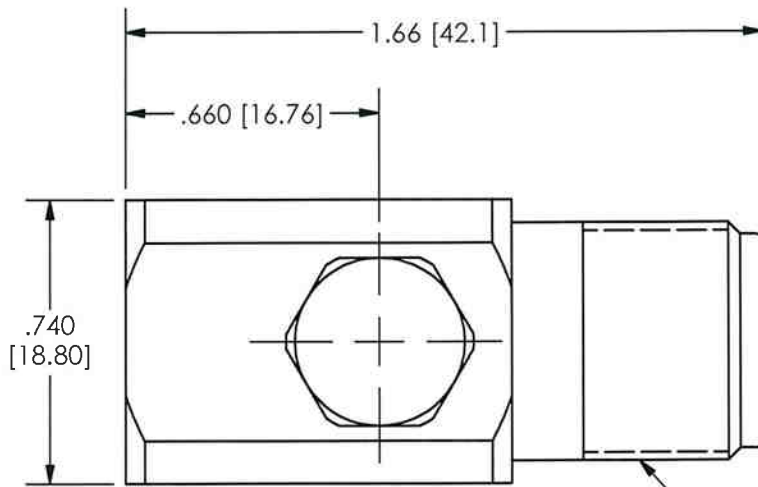
1

PCB Piezotronics Inc. claims proprietary rights in the information disclosed hereon. Neither it nor any reproduction thereof will be disclosed to others without the written consent of PCB Piezotronics Inc.

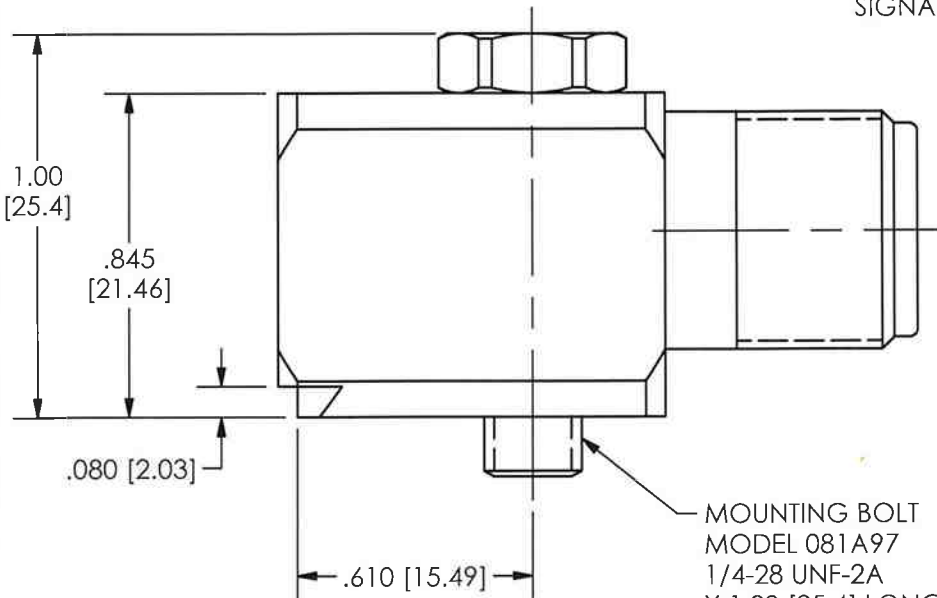
REVISIONS

REV	DESCRIPTION	ECN	APP'D
NR	RELEASED TO DRAFTING		ECB 7/21/08

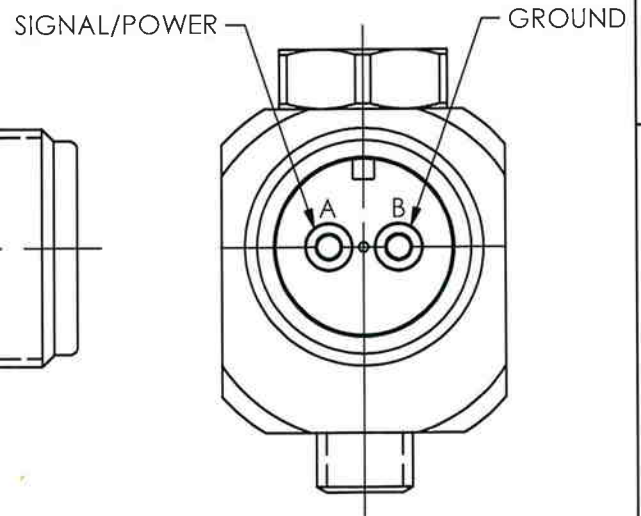
40561



ELECTRICAL CONNECTOR
5/8-24 UNEF-2A
2-PIN MIL-C-5015



MOUNTING BOLT
MODEL 081A97
1/4-28 UNF-2A
X 1.00 [25.4] LONG
(SUPPLIED)



1 FOR METRIC ACCELEROMETER (MODEL M602D02), USE MOUNTING BOLT MODEL M081A97, M6 X 1.00 [25.4] LONG.

UNLESS OTHERWISE SPECIFIED TOLERANCES ARE:

DIMENSIONS IN INCHES		DIMENSIONS IN MILLIMETERS [IN BRACKETS]	
DECIMALS	XX ± .03	DECIMALS	X ± 0.8
	XXX ± .010		XX ± 0.25
ANGLES	± 2 DEGREES	ANGLES	± 2 DEGREES

FILLETS AND RADII	FILLETS AND RADII
.003 - .005	[0.07 - 0.13]

DRAWN	ECB	7/2/08	MFG	<i>[Signature]</i>	7/23/08
CHK'D	ECB	7/2/08	ENGR	<i>[Signature]</i>	7/23/08
APP'D	<i>[Signature]</i>	7/23/08	SALES	<i>[Signature]</i>	7/23/08

TITLE
OUTLINE DRAWING
MODEL 602D02, M
ACCELEROMETER

PCB PIEZOTRONICS^{INC}
3425 WALDEN AVE. DEPEW, NY 14043
(716) 684-0001 E-MAIL: sales@pcb.com

CODE IDENT. NO. 52681	DWG. NO. 40561
SCALE: 2X	SHEET 1 OF 1

2

1

1