

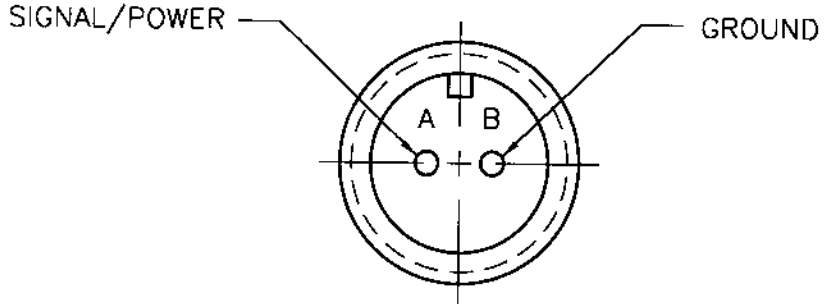
6158

PCB Piezotronics Inc. claims proprietary rights in the information disclosed herein. Neither it nor any reproduction thereof will be disclosed to others without written consent of PCB Piezotronics Inc.

APPLICATION		
NEXT ASS'Y	USED ON	VAR

REVISIONS				
REV	DESCRIPTION	ECN	DATE	APP'D

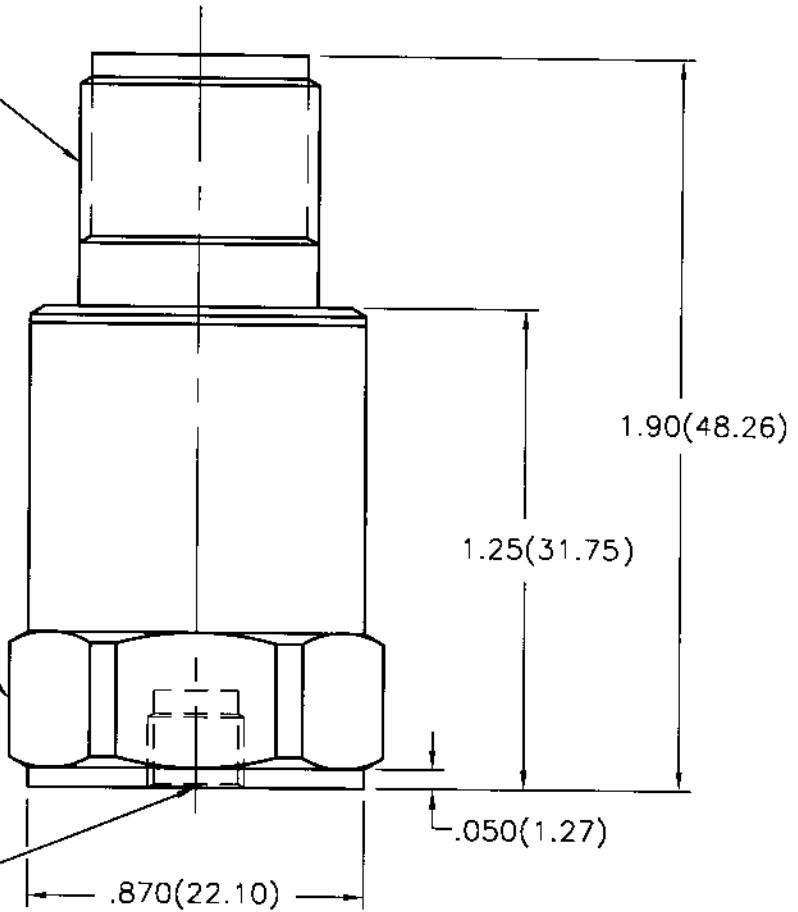
TOP VIEW OF CONNECTOR



ELECTRICAL CONNECTOR  
5/8-24 UNEF-2A  
2 PIN (MIL-C-5015)

.875(22.23) HEX

1/4-28 UNF-2B  
X .20(5.1) ▽



UNLESS SPECIFIED TOLERANCES

DIMENSIONS IN INCHES	DIMENSIONS IN MILLIMETERS (IN PARENTHESIS)
DECIMALS XX ± .01 XXX ± .005	DECIMALS XX ± 0.3 XXX ± 0.13
ANGLES ± 2 DEGREES	ANGLES ± 2 DEGREES
FILLETS AND RADII .003 - .005	FILLETS AND RADII (0.07 - 0.13)
00011 REV. A 05/26/95	

DRAWN	SM	MFG	30
CHK'D	SM	ENGR	DMB
APP'D	SM	Sales	EGY
TITLE	OUTLINE DRAWING MODEL 601A02 ACCELEROMETER		

**PCB** PIEZOTRONICS, INC.  
3425 WALDEN AVE. DEPEW, NEW YORK 14043  
PHONE: (716) 684-0001

CODE IDENT. NO. 52681	DWG. NO. 6158
SCALE: 2X	SHEET 1 OF 1